

TOWER[®]

BUILT FOR BETTER SINCE 1912

omni

12V CORDLESS HAND MIXER

MODEL: T12083/T12083NB

BATTERY NOT INCLUDED IN MODEL T12083NB



USER MANUAL



GREAT BRITISH DESIGN, INNOVATION AND EXCELLENCE

TABLE OF CONTENTS

IMPORTANT SAFETY INFORMATION	3
• Key safety points	3
• General safety	3
• Whilst mixing	4
• Additional battery safety precautions	4 - 5
THIS BOX CONTAINS	6
SPECIFICATIONS	6
GETTING TO KNOW YOUR APPLIANCE	7
• Structure of your appliance	7
BEFORE FIRST USE	8
USING YOUR APPLIANCE	8
• Charging the unit	8
• Attaching and removing accessories	9
• Operating the unit	10
• Mixing tips	10
• Optional accessories	10
TROUBLESHOOTING	12 - 13
CLEANING & CARE	14
• Storage	14
• Disposal of the unit	15
CUSTOMER SUPPORT	15

IMPORTANT SAFETY INFORMATION

Please read these safety **NOTES** carefully **BEFORE** using your appliance.

These warnings have been provided in the interest of safety. Basic safety precautions should always be followed including the following:

KEY SAFETY POINTS:

- **CAUTION!** Avoid contact with moving parts. Keep hands and utensils away from the unit while mixing to prevent personal injury or damage to the mixer.
- **CAUTION!** The dough hooks have sharp edges. Handle with care.
- **CAUTION! DO NOT** attempt to bypass the interlock system that powers the unit on.

GENERAL SAFETY:

- Do not immerse any part of the main appliance body in water or any other liquid.
- Close supervision is necessary when any appliance is used by or near children.
- Children should not play with the appliance.
- This appliance can be used by children aged from 8 years and above and persons with reduced physical, sensory or mental capabilities or lack of experience and knowledge if they have been given supervision or instruction concerning use of the appliance in a safe way and understand the hazards involved.
- Cleaning and user maintenance should not be undertaken by children without supervision.

- Take care when any appliance is used near pets.
- Switch off and unplug before fitting or removing accessories, after use and before cleaning.
- Allow the appliance to cool down for approximately 30 minutes before fitting or removing accessories or cleaning.
- If the supply cord or appliance is damaged, stop using the appliance immediately and seek advice from the manufacturer, its service agent or a similarly qualified person.
- The use of accessory attachments is not recommended by the appliance manufacturer, apart from those supplied with this product.
- Do not use the appliance outdoors.
- Do not place the appliance on or near a hot stove top or heated oven.
- Take care when moving the appliance, or removing accessories as the dough hooks have sharp edges and can cause injury.
- This appliance is for household use only.
- Do not place anything on top of the appliance.
- Do not clean the appliance with metal kitchen utensils, caustic or abrasive cleaning agents or scouring sponges.
- Do not use this appliance for anything other than its intended use.

IMPORTANT SAFETY INFORMATION

WHILST MIXING:

- Please ensure that the appliance is used on a stable, level, and heat resistant surface.
- Do not place the appliance on or near combustible materials such as a tablecloth or curtain.
- Do not place the appliance in the presence of explosive and/or flammable fumes.
- If the appliance begins to emit smoke, unplug it immediately.
- **WARNING!** The product may emit a small amount of smoke when it is first turned on. This is due to manufacturing oils and/or residue left on the motor. There is no need for alarm and is considered normal. The smoke will eventually lessen once the oil and/or residue disappears.
- **Safety protection:** The motor is equipped with a heat protection setting, should it overload, it will turn off automatically and be ready to recommence after it has cooled.
- In the unlikely event the appliance develops a fault, stop using it immediately and seek advice from the Customer Support Team: **+44 (0) 333 220 6066**

ADDITIONAL BATTERY SAFETY PRECAUTIONS:

- Do not use a battery pack or appliance that is damaged or modified.

Damaged or modified batteries may exhibit unpredictable behaviour resulting in fire, explosion or risk of injury. Do not expose battery pack or appliance to fire or excessive temperatures. Exposure to fire or temperatures above 60°C (140°F) may cause explosion.

- The battery is a sealed unit and under normal circumstances poses no safety concerns. In the unlikely event that liquid leaks from the battery, do not touch the liquid as it may cause irritation or burns to skin, eyes or nose. Should battery liquid come in contact with skin, immediately wash the affected area with soap and water. In case of eye contact, immediately flush your eyes thoroughly with water for at least 15 minutes and seek medical attention.
- In case of inhalation, immediately expose to fresh air and seek out medical advice.
- Disposal – wear gloves to handle the battery. Dispose of it immediately, following local ordinances or regulations.

- Follow all charging instructions and do not charge the battery pack or the appliance outside of the temperature range specified in the instructions.

Charging improperly or at a temperature outside of the specified range may damage the battery and increase the risk of fire. To ensure maximum battery life, observe the following guidelines:

- When not in use the appliance should be stored at room temperature. Recommended range: 18°C (64°F) to 28°C (82°F).
- The ambient temperature range for operation and charging should be 10°C (50°F) to 30°C (86°F).

It is important that this instruction manual is retained for future reference.

If the appliance is given to someone else, it should always be accompanied by these operating instructions, as they form an integral part of the appliance.

THIS BOX CONTAINS

Instruction manual

Cordless hand mixer body

2 x beaters

2 x dough hooks

Battery pack (not included in model T12083NB)

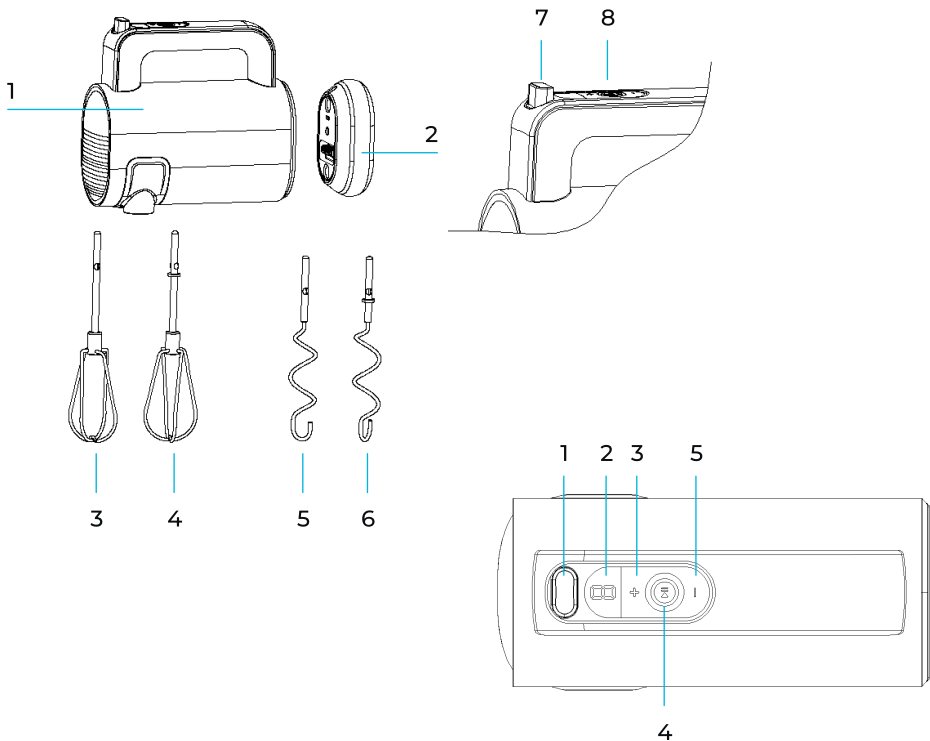
Type-C charging cable (not included in model T12083NB)

SPECIFICATIONS

MODEL	T12083
PRODUCT DESCRIPTION	Cordless Hand Mixer
POWER CONSUMPTION	150W
DESCRIPTION	Rechargeable Li-Ion Battery
RATING	11.1Vdc 2Ah/22.2wh
CHARGER TYPE	Type-C

GETTING TO KNOW YOUR APPLIANCE

STRUCTURE OF YOUR APPLIANCE:



1. Motor housing
2. Removable battery pack
(not included in model T12083NB)
3. Right beater
4. Left beater
5. Right dough hook
6. Left dough hook
7. Accessory eject button

8. Control panel

CONTROL PANEL

1. Accessory eject button
2. LED display
3. Speed Up button
4. Power On/Off / Start/Pause button
5. Speed Down button

BEFORE FIRST USE

Read all instructions and safety information carefully before first use. Please retain this information for future reference.

1. Remove the parts from the packaging.
2. Place the mixer on a flat, dry surface.
3. Remove any promotional labels or stickers.

4. Install the desired attachment, as detailed in the corresponding section below.

5. Dispose of the packaging in a responsible manner.

6. Your appliance is now ready for normal use.

Note: Take care with sharp blades.

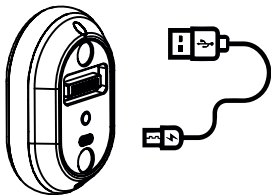
USING YOUR APPLIANCE

CHARGING THE UNIT:

NOTE! Ensure the battery pack is detached from the unit when charging it.

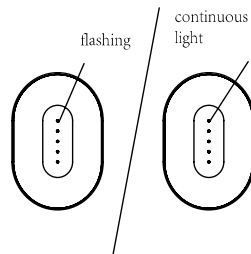
NOTE: The battery should be recharged every six months to maintain its longevity.

To use the unit, begin by charging the battery. To do this, connect the Type-C end of the included charging cable into the corresponding Type-C port on the bottom of the battery pack, and the other end into a compatible USB socket or mains adaptor.

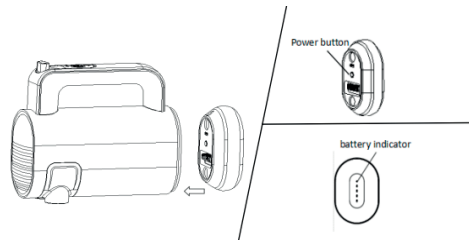


The LEDs on the battery pack will illuminate and begin to flash alternately in sequence to show that it is charging,

then progressively light up solid white as the charging process advances. The unit is fully charged when all of the LEDs on the battery pack are lit up as solid white.



Once the battery pack is fully charged, attach it to its dedicated slot on the main body of the unit, ensuring it is firmly secured into place.



NOTE: When the unit is in use, the five white LED lights on the battery pack will gradually turn themselves off to show the battery is depleting. Each LED light equates to about 20% battery life. When the battery is significantly low, the indicator will turn red to indicate the battery protection feature has been activated. When this occurs, remove the battery from the unit and charge it fully, as detailed above. Be sure to fully power off the device before removing the battery.

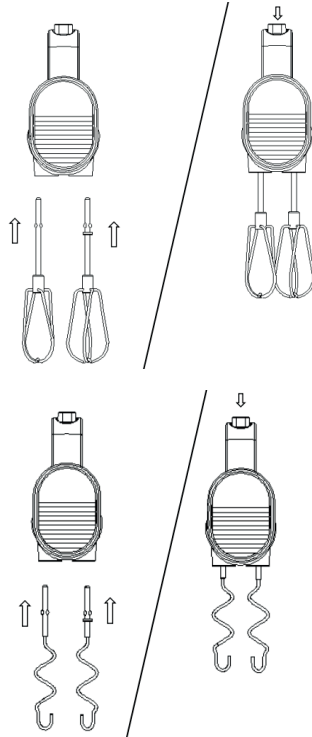
ATTACHING AND REMOVING ACCESSORIES:

This unit comes equipped with a choice of two beaters and two dough hooks. To attach either pair of accessories to the main unit, simply push them into each of the corresponding slots at the bottom of the unit until they click into place. Ensure accessories are firmly secured before attempting to use the mixer.

NOTE: Some firmness may be required to ensure the accessories are firmly secured into their slots.

NOTE: The positions of the beaters or dough hooks are not interchangeable. When installing the accessories, take care to ensure they are inserted into the correct side of the unit. The beater or dough hook with the flat circular area midway down the shaft should be installed into the left-hand side slot, and the one without this indentation on the right-hand side slot.

If installed on the wrong side, the accessories will not click into place or securely attach to the unit.



To automatically eject the accessories from the unit, simply press the corresponding button at the top of the unit. The beaters or dough hooks will detach automatically.

NOTE: Take care when ejecting accessories from the unit, as they may detach from the unit with considerable force.

OPERATING THE UNIT:

Once the beaters or dough hooks are installed, push the Power On/Off / Start/Pause button to turn the unit on. The LED display will come on and show the number 0, indicating the unit is currently on Standby.

Once the unit has been turned on, press the + and – keys to select the desired the mixing speed, between 1 and 8. Press the + key to increase the mixing speed, or the – key to decrease it. Alternatively, hold down either button to cycle through the available speeds more quickly. The LED display will show the currently selected speed.

When the required mixing speed has been selected, press the Power On/Off / Start/Pause button again to start operation. The unit will automatically begin to work at the selected speed.

When done mixing, press the Power On/Off / Start/Pause button again to stop operation. The motor will stop working and the unit will go back into Standby mode, then automatically turn itself off after about ten seconds of inactivity.

NOTE: When mixing is interrupted, the unit will retain the latest selected settings, and the LED screen will continue to display the latest selected speed until it is changed or the unit turns off.

MIXING TIPS:

- Use a light side-to-side wrist motion. Lift the mixer up slightly from time to time, then let it fall back onto the ingredients. Do not press into or pound the ingredients.
- The longer the time spent mixing, the finer the consistency of the finished product.



TROUBLESHOOTING

PROBLEM	POSSIBLE CAUSE	POSSIBLE SOLUTION
The motor is not running.	The battery pack is incorrectly inserted.	Make sure the battery pack is correctly inserted and firmly secured.
	The lock button has not been pressed.	Press the lock button alongside the Power button.
The motor is overheating or there is an unpleasant smell.	Too much food was added or the motor was allowed to run for too long.	Reduce the amount of food, wait for the unit to cool down, and observe the maximum motor running time of about 1 minute.
Liquids are too thick.	Add more liquid or reduce the amount of fruit or vegetables originally added to the beaker.	Reduce the amount of ingredients or add more liquid when preparing drinks.
The food is not processed enough.	The wrong accessory was used.	Ensure the correct accessory is attached to the unit.
	The processing time was too short.	Process the ingredients for longer.
	The food was not cut into small enough pieces.	Cut the ingredients into pieces no bigger than 2.5cm for processing, or 1cm for mincing.

TROUBLESHOOTING

PROBLEM	POSSIBLE CAUSE	POSSIBLE SOLUTION
The battery pack is showing a blue light	The motor is overheating.	Stop using the unit immediately and allow it to cool down for a period of time before attempting to use it again.
The battery pack is showing a red light	The battery protection feature has activated, and the battery is significantly low.	Stop using the unit immediately, remove the battery pack and allow it to cool down for a period of time, then charge it fully, as detailed in the corresponding section of this instruction manual.

COMPATIBLE WITH:

Also available to help you get the most out of your product:

TI208BAT - Omni Rechargeable Battery

TI208DOC - Omni Charging Dock 50W

CLEANING AND CARE

WARNING! Do not immerse the appliance in water or any other liquid.

This product contains no user serviceable parts.

Refer service to qualified service personnel.

Always wash immediately after use for easier cleaning. Don't let food dry on the unit or accessories as this will make cleaning difficult.

1. Dismantle all detachable parts.
2. Wash the dough hooks and beaters by hand, or place them on the top rack of the dishwasher.
3. DO NOT use scouring pads, steel wool, any form of strong solvents or abrasive cleaning agents to clean the appliance.
4. DO NOT touch the sharp edges on the dough hooks, handle carefully.

5. Wipe the motor unit with a damp cloth and dry thoroughly.
6. Remove stubborn spots by rubbing with non-abrasive cleaner.
7. DO NOT immerse the motor unit in liquid.
8. DO NOT allow liquid to enter the slot for the battery pack, as this may result in damage to the electrical components.

STORAGE

- Ensure that the unit is cool, clean and dry before you store it.
- Store the appliance in a cool and dry place.

DISPOSAL OF THE UNIT

Appliances bearing the symbol shown here may not be disposed of in domestic rubbish. You are required to dispose of old electrical and electronic appliances like this separately.

Please visit www.recycle-more.co.uk or www.recyclenow.co.uk for access to information about the recycling of electrical items.

Please visit www.weeeireland.ie for access to information about the recycling of electrical items purchased in Ireland.

The WEEE directive, introduced in August 2006, states that all electrical items must be recycled, rather than taken to landfill.

Please arrange to take this appliance to your local Civic Amenity site for recycling, once it has reached the end of its life.



 Li-ion

CUSTOMER SUPPORT

If you have any questions or concerns about your new product, please contact our helpful Customer Support Team:

Spare part replacements and accessories are available to purchase via:



+44 (0) 333 220 6066



www.towerhousewares.co.uk

Please have your Model No. available. This can be found on the front cover of this instruction manual and on the appliance's rating label.

TOWER®

BUILT FOR BETTER SINCE 1912



Thank you!

We hope you enjoy your appliance for many years

This product is guaranteed for 12 months from the date of original purchase.

If any defect arises due to faulty materials of workmanship, the faulty products must be returned to the place of purchase.

Refund or replacement is at the discretion of the retailer.

THE FOLLOWING CONDITIONS APPLY:

The product must be returned to the retailer with proof of purchase or a receipt.

The product must be installed and used in accordance with the instructions contained in this instruction guide.

It must be used only for domestic purposes.

It does not cover wear and tear, damage, misuse or consumable parts.

Tower has limited liability for incidental or consequential loss or damage.

This guarantee is valid in the UK and Eire only.

The standard one year guarantee is only extended to the maximum available for each particular product upon registration of the product within 28 days of purchase. If you do not register the product with us within the 28 day period, your product is guaranteed for 1 year only.

To validate your extended warranty, please visit www.towerhousewares.co.uk and register with us online.

Please note that length of extended warranty offered is dependent on product type and that each qualifying product needs to be registered individually in order to extend its warranty past the standard 1 year.

Extended warranty is only valid with proof of purchase or receipt.

Your warranty becomes void should you decide to use non Tower spare parts.

Spare parts can be purchased from www.towerhousewares.co.uk

Or call our Customer Support Team on: **+44 (0) 333 220 6066**